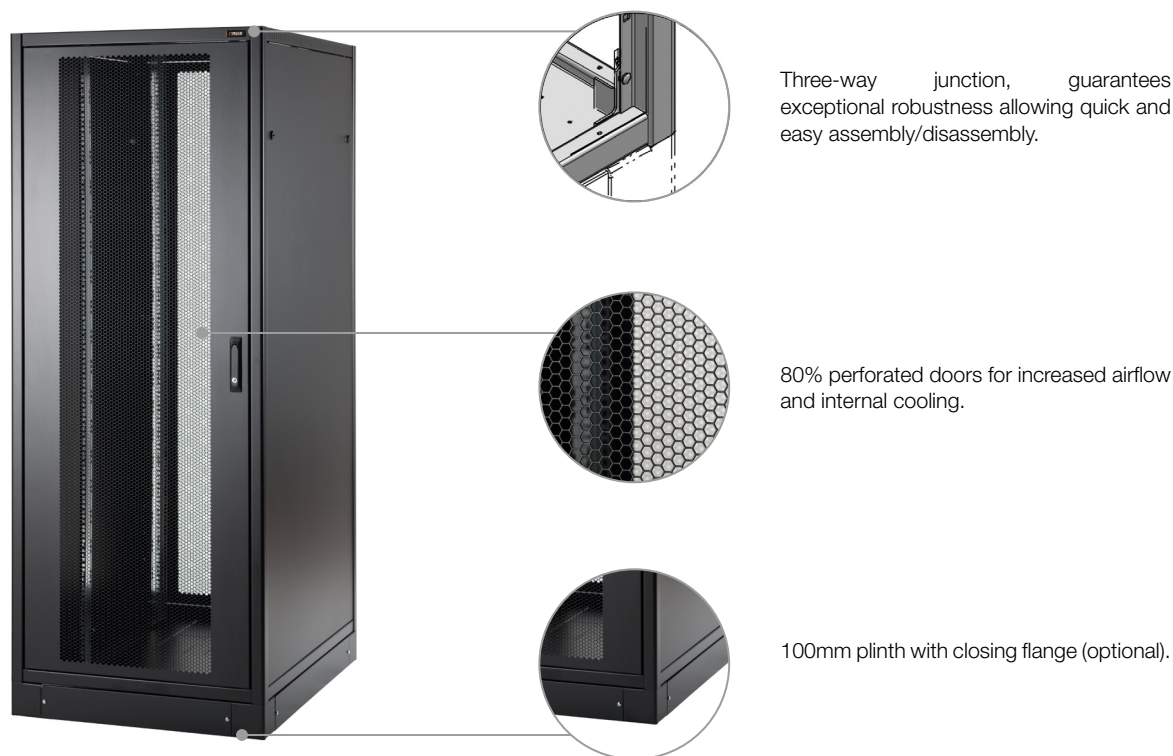


Server IP20 600/800x1200 - Free standing



Description

The Server Series has been designed to use in Data Centers of any size. Thanks to its robustness, this cabinet can support considerable loads to install servers, uninterruptible power supplies and devices of any manufacturer.

Technical features

The modular structure is made using 3.0 mm three-way joints welded to the base and roof, assembled with 4 supporting profiles in 2.0 mm thick steel sheet. Cabinets are equipped with reversible single, or split doors with 80% perforation, swivel handle with key, 4 vertical 19" uprights with numbered units (RU's) and adjustable in depth. Cabinets are supplied fully assembled, but on request, it can be available in flat pack.

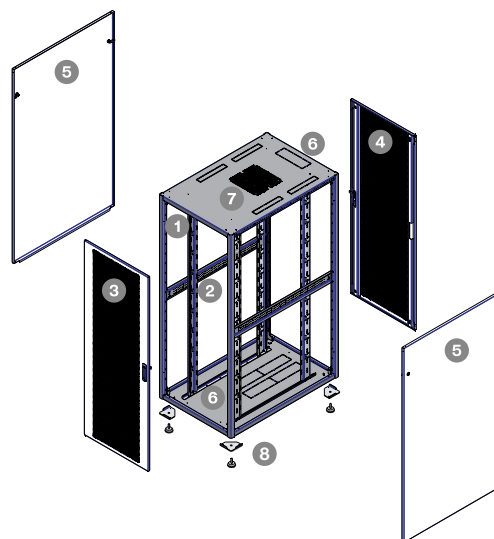
Technical Specifications

Structure	Modular and disassemblable	Levelling feet	4 pcs of M10x35 mm
Material	2.0 mm steel sheet	Cable entry	Pre-cut, base and roof (optional brush)
Static load	1000 Kg	Ventilation	Natural or forced (up to four fans)
19" Uprights	4 pcs, C=2.00 mm, 19" as per IEC 60297-1-2	Color	Epoxy powder Black RAL 9005
Front door	Perforated 80%	Protection degree	IP20 as per EN 60529
Rear door	Perforated 80%	Conformity	RoHS 2 Directive 2011/65 / EU
Side panels i	Removable, 1.0 mm steel sheet, with ¼ turn lock	Warranty	2 years

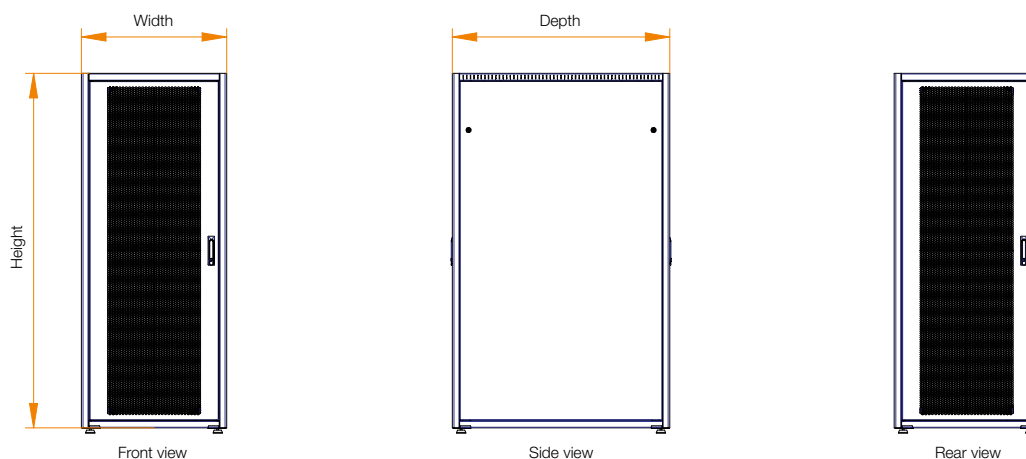
Server IP20 600/800x1200 - Free standing

Construction drawing

- 1 Modular and disassemblable structure
- 2 Depth adjustable 19" uprights with numbered units (RU's)
- 3 80% perforated door with swivel handle
- 4 80% perforated door with swivel handle
- 5 Removable side panels
- 6 Cable entry from base and roof
- 7 Allows the installation of ventilation
- 8 Levelling feet



Dimensions



Versions

P/N	Description	Units	Height	Width	Depth	Color
309323	Server IP20 with perforated doors	42	1957 mm	600 mm	1200 mm	Black, RAL 9005
309325	Server IP20 with perforated doors	48	2224 mm	600 mm	1200 mm	Black, RAL 9005
309324	Server IP20 with perforated doors	42	1957 mm	800 mm	1200 mm	Black, RAL 9005
309326	Server IP20 with perforated doors	48	2224 mm	800 mm	1200 mm	Black, RAL 9005

Other dimensions and configurations are available on request.

Accessories

P/N	Description	Height	Width	Depth	Color
309342	Brush for the cable entry (2 pcs)	10.4 mm	50 mm	301 mm	Black, RAL 9005
309336	Plinth kit with sealing flanges	100 mm	600 mm	1200 mm	Black, RAL 9005
309337	Plinth kit with sealing flanges	100 mm	800 mm	1200 mm	Black, RAL 9005