

Industrial IP55 600x800 - Free standing



Three-way die-cast aluminium joint to guarantee the structure rigidity and strength.

4-point locking mechanism to guarantee IP55 protection degree.

100mm socket with closing flange



Description

The IP55 Industrial Series is the ideal solution for free-standing applications in many different sectors: industrial automation and control, power distribution, industrial electronics and data transmission. Designed to guarantee a high degree of IP protection, these cabinets are recommended for use in dusty environments or even where there are substances that could become potentially harmful once installed indoors.

Technical features

The load-bearing structure, is made of steel sheet profiles, joint together by three-way die-cast aluminum joints, to guarantee exceptional strength. The assembly and disassembly of the complete structure is straightforward and quick. The door can be either blind or in tempered glass. Door is also fitted with a swivel handle lock with four (4) locking points & key. Side and rear panels can be removed by unscrewing their screws. It is compliant to EN 60529 standard, thus offering IP55 degree of protection guaranteed by the polyurethane foam gasket in continuous casting. The Rack Cabinet is supplied fully assembled.

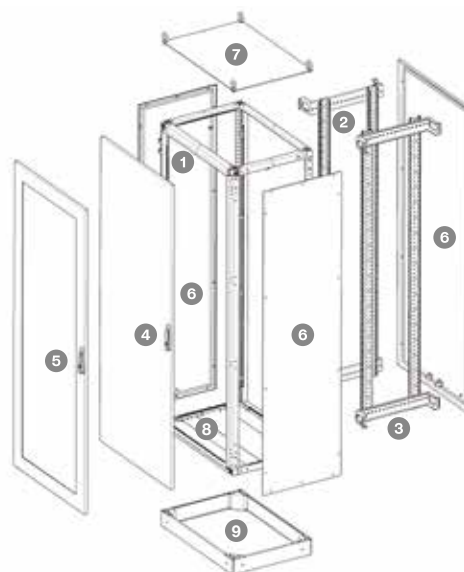
Technical Specifications

Structure	Assemblable/disassemblable by means of screws	Plinth	4 pcs. of 100 mm with closing flanges
Material	2.0 mm steel sheet	Roof	Removable by means of screws, t=1.5 mm
Static load	500 kg	Mounting	Floor
19" uprights	4 pcs, t=2.0 mm as per IEC 60297-1-2	Color	Epoxy powder Gray Polyester RAL 7035
Blind door	1.5 mm steel sheet	Protection degree	IP55 as per EN 60529
Glass door	Glass t=4.0 mm, tempered as per EN 12150-2	Resistance degree	IK10 (blind), IK08 (glass) as per EN 62262
Side panels	Removable by means of screws, t=1.2 mm	Conformity	RoHS 2 Directive 2011/65 / EU
Rear Panel	Removable by means of screws, t=1.5 mm	Certification	UL 508A / CSA C22.2 No. 14-13
Base	Removable flanges by means of screws, t=1.5 mm	Certification	CE as per EN62208
		Warranty	2 years

Industrial IP55 600x800 - Free standing

Construction Drawing

- 1 Assemblable/disassemblable supporting structure
- 2 Depth-adjustable 19" uprights
- 3 Adjustment guide for 19" uprights
- 4 Blind door with swivel handle
- 5 Glass door with swivel handle
- 6 Removable side and rear panels
- 7 Removable roof with lifting eyebolts
- 8 Base with removable flange
- 9 Plinth with closing flange



Dimensions



Versions

P/N	Description	Units	Height*	Width	Depth	Color
309161	Industrial IP55 with blind door	24	1300 mm	600 mm	800 mm	Grey, RAL 7035
309162	Industrial IP55 with blind door	34	1700 mm	600 mm	800 mm	Grey, RAL 7035
309163	Industrial IP55 with blind door	42	2100 mm	600 mm	800 mm	Grey, RAL 7035
309179	Industrial IP55 with glass door	24	1300 mm	600 mm	800 mm	Grey, RAL 7035
309180	Industrial IP55 with glass door	34	1700 mm	600 mm	800 mm	Grey, RAL 7035
309181	Industrial IP55 with glass door	42	2100 mm	600 mm	800 mm	Grey, RAL 7035

* Full height with 100 mm plinth. Other dimensions and configurations are available on request.

Accessories

P/N	Description	Units	Width	Depth	Color
309194	19" uprights (2 pcs)	24	/	/	Black, RAL 9005
309195	19" uprights (2 pcs)	34	/	/	Black, RAL 9005
309196	19" uprights (2 pcs)	42	/	/	Black, RAL 9005
309205	Eyebolts M12 (2 pcs)	/	/	/	/