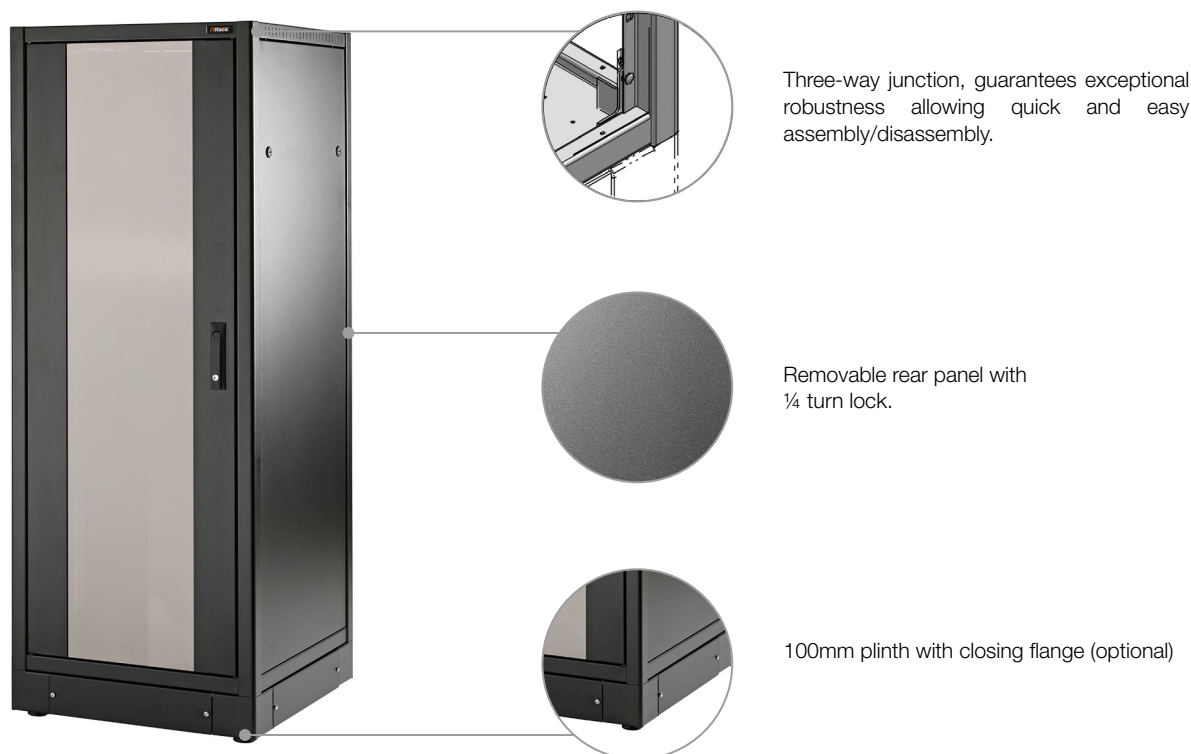


# Server IP20 600x1000 - Free standing



## Description

The Server Series has been designed to use in Data Centers of any size. Thanks to its robustness, this cabinet can support considerable loads to install servers, uninterruptible power supplies and devices of any manufacturer.

## Technical features

The modular structure, is made of four (4), load-bearing, steel sheet, 2.0 mm-thick and rounded-corner profiles, to guarantee exceptional strength. Assembly and disassembly of the complete structure is straightforward and quick. The Rack can be supplied either fully assembled or in flat-pack packaging. Racks of this Series are available with tempered glass front door fitted with a swivel handle lock with key. Side and rear panels are removable and fitted with a quarter-turn lock. On request, they can be supplied with lock with key.

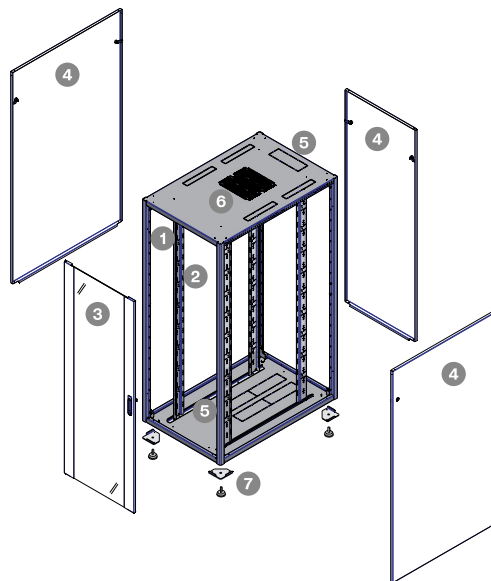
## Technical Specifications

|                     |   |                          |   |
|---------------------|---|--------------------------|---|
| <b>Structure</b>    | Modular and disassemblable                        | <b>Levelling feet</b>    | 4 pcs of M10x35 mm                      |
| <b>Material</b>     | 2.0 mm steel sheet                                | <b>Cable entry</b>       | Pre-cut, base and roof (optional brush) |
| <b>Static load</b>  | 1000 kg   | <b>Roof ventilation</b>  | Natural or forced (up to four fans)     |
| <b>19" Uprights</b> | 4 pcs, C=2.00 mm, 19" as per IEC 60297-1-2        | <b>Color</b>             | Epoxy powder Black RAL 9005             |
| <b>Front door</b>   | With 4.0 mm glass, tempered as per EN 12150-1     | <b>Protection degree</b> | IP20 as per EN 60529                    |
| <b>Side panels</b>  | Removable, 1.0 mm steel sheet, with 1/4 turn lock | <b>Conformity</b>        | RoHS 2 Directive 2011/65 / EU           |
| <b>Rear panel</b>   | Removable, 1.0 mm steel sheet, with 1/4 turn lock | <b>Warranty</b>          | 2 years                                 |

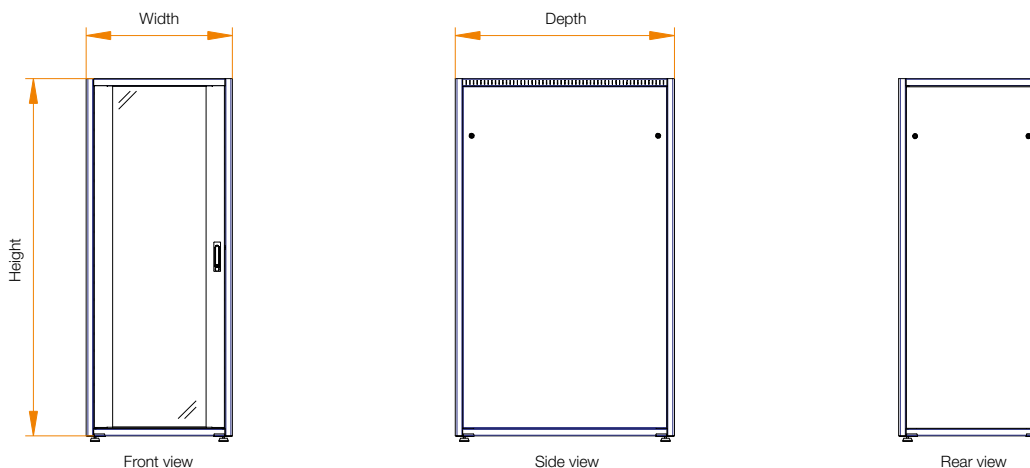
# Server IP20 600x1000 - Free standing

## Construction Drawing

- 1 Modular and disassemblable structure
- 2 Depth-adjustable 19" uprights
- 3 Glass front door with swivel handle
- 4 Removable side and rear panels
- 5 Cable entry from base and roof
- 6 Allows the installation of ventilation
- 7 Levelling feet



## Dimensions



## Versions

| P/N             | Description                 | Units | Height  | Width  | Depth   | Color           |
|-----------------|-----------------------------|-------|---------|--------|---------|-----------------|
| 309070-AV-PP-SZ | Server IP20 with glass door | 24    | 1156 mm | 600 mm | 1000 mm | Black, RAL 9005 |
| 309072-AV-PP-SZ | Server IP20 with glass door | 34    | 1601 mm | 600 mm | 1000 mm | Black, RAL 9005 |
| 309074-AV-PP-SZ | Server IP20 with glass door | 42    | 1957 mm | 600 mm | 1000 mm | Black, RAL 9005 |
| 309076-AV-PP-SZ | Server IP20 with glass door | 48    | 2224 mm | 600 mm | 1000 mm | Black, RAL 9005 |

Other dimensions and configurations are available on request.

## Accessories

| P/N    | Description                       | Height  | Width  | Depth   | Color           |
|--------|-----------------------------------|---------|--------|---------|-----------------|
| 309342 | Brush for the cable entry (2 pcs) | 10.4 mm | 50 mm  | 301 mm  | Black, RAL 9005 |
| 309334 | Plinth kit with sealing flanges   | 100 mm  | 600 mm | 1000 mm | Black, RAL 9005 |